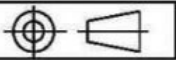
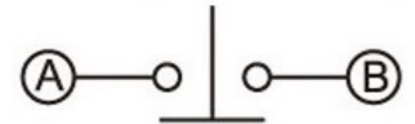


注：“\*”□表示关键尺寸(3个).

NO.	PARTS	MATERIALS	Q'TY	TOLERANCE UNLESS SPECIFIED	ISSUE	DATE	DESCRIPTIONS OF REVISION	APPD.
8								
7								
6				WITHIN 1.5mm : ±0.1mm	A	2012-8-13	初版	
5	SPRING	SUS	1	NATURAL	ISSUE	DATE	DESCRIPTIONS OF REVISION	APPD.
4	CAM STICK	SUS	1	NATURAL	TITLE : VERTICAL PUSH SWITCH			UNIT : mm
3	CASE	PA66/BRASS STRIP	1	GREY/Ag PLATED	MODEL:			DRWG NO.:
2	COVER	PA66	1	BLACK	SCALE: 5:1			DWN. 2012-8-13
1	KNOB	PA66/PBS C5210R-EH	1	WHITE/Ag CLAD	东莞市高迪电子有限公司			CHK'D
				APPD.				2012-8-13

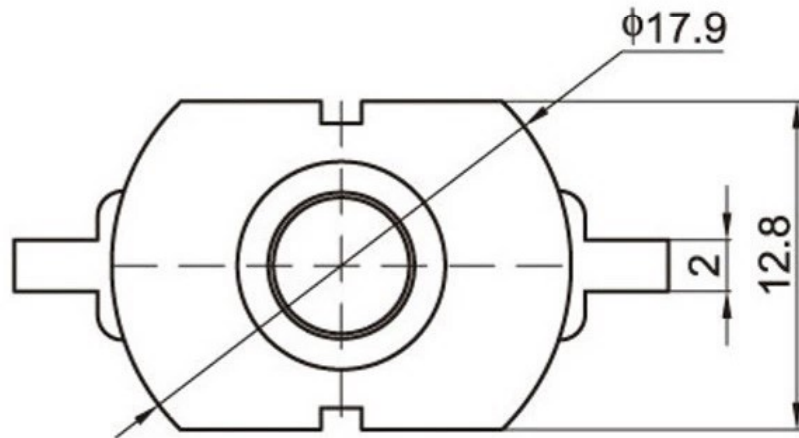
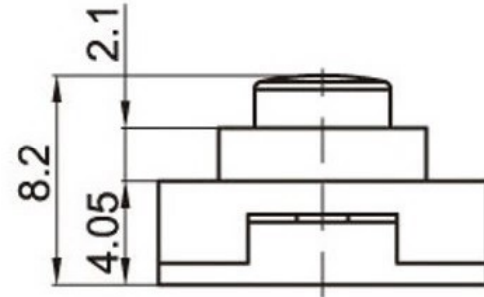
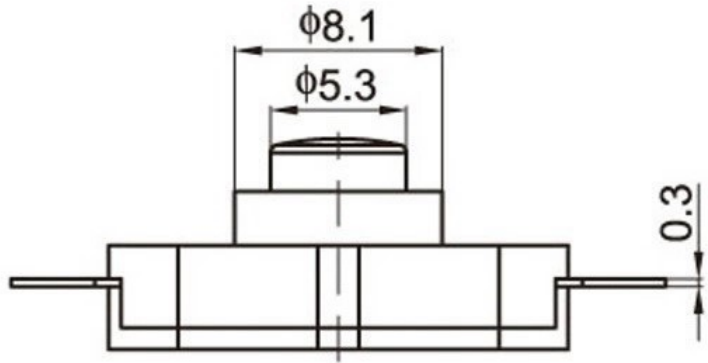


无锁(常闭.接通)



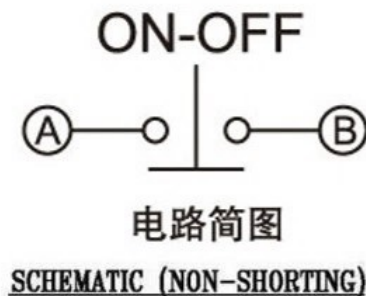
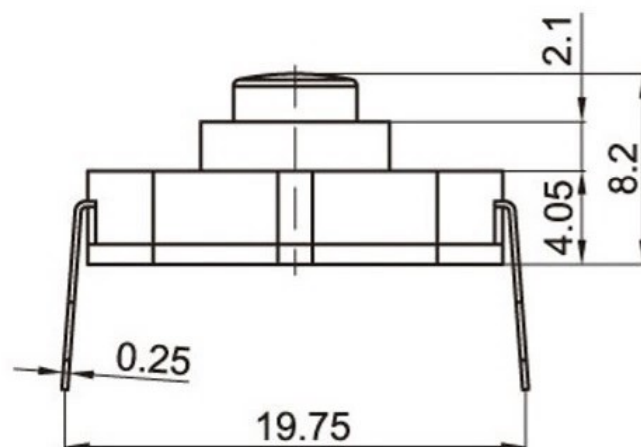
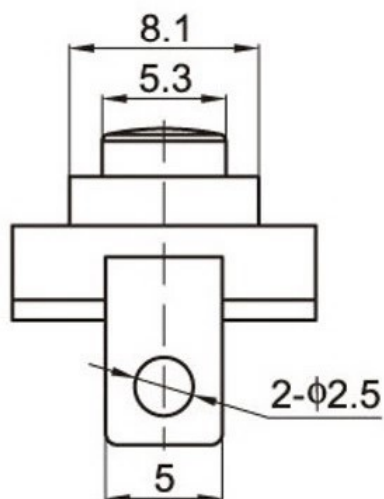
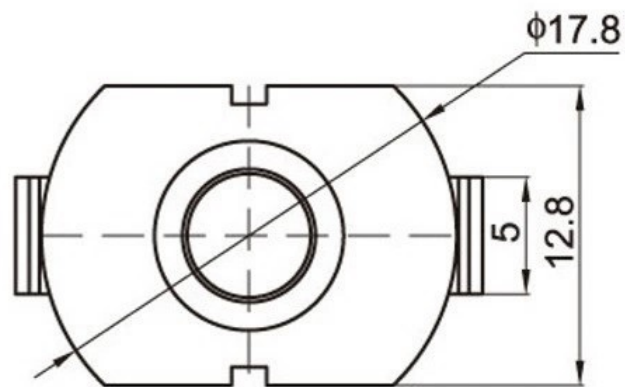
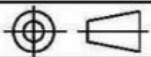
电路简图

SCHEMATIC (NON-SHORTING)



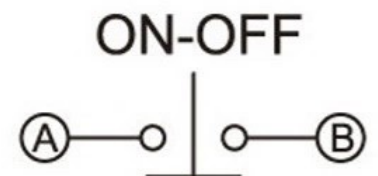
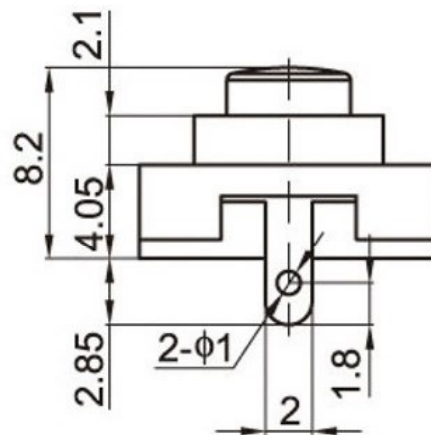
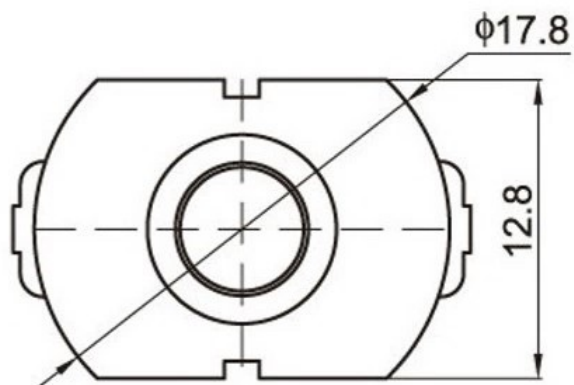
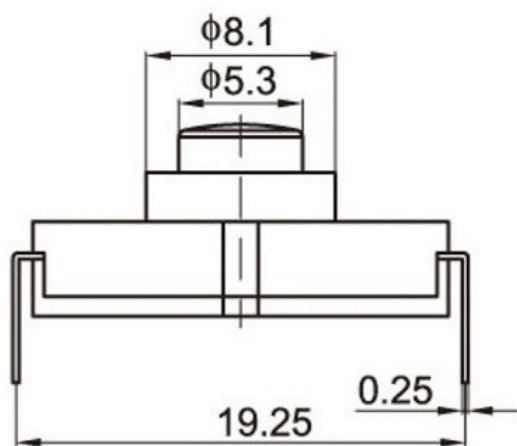
注：“\*”□表示关键尺寸(3个).

NO.	PARTS	MATERIALS	Q'TY	TOLERANCE UNLESS SPECIFIED	ISSUE	DATE	DESCRIPTIONS OF REVISION	APPD.
8								
7								
6				WITHIN 1.5mm : ±0.1mm OVER 1.5mm : ±0.2mm	A	2012-8-13	初版	
5	SPRING	SUS	1	NATURAL	ISSUE	DATE		
4	CAM STICK	SUS	1	NATURAL	TITLE : VERTICAL PUSH SWITCH			UNIT : mm
3	CASE	PA66/BRASS STRIP	1	GREY/Ag PLATED	MODEL:			DRWG NO.:
2	COVER	PA66	1	BLACK	SCALE: 5:1			DWN. 2012-8-13
1	KNOB	PA66/PBS C5210R-EH	1	WHITE/Ag CLAD	东莞市高迪电子有限公司			CHK'D



注：“\*”□表示关键尺寸(3个)。

NO.	PARTS	MATERIALS	Q'TY		TOLERANCE UNLESS SPECIFIED				
8									
7									
6					WITHIN 1.5mm : ±0.1mm	A	2012-8-13	初版	
5	SPRING	SUS	1	NATURAL	OVER 1.5mm : ±0.2mm	ISSUE	DATE	DESCRIPTIONS OF REVISION	APPD.
4	CAM STICK	SUS	1	NATURAL	TITLE : VERTICAL PUSH SWITCH		UNIT : mm	DRWG NO.:	
3	CASE	PA66/BRASS STRIP	1	GREY/Ag PLATED	MODEL:		SCALE: 5:1	DWN.	2012-8-13
2	COVER	PA66	1	BLACK	东莞市高迪电子有限公司			CHK'D	
1	KNOB	PA66/PBS C5210R-EH	1	WHITE/Ag CLAD				APPD.	



电路简图

SCHEMATIC (NON-SHORTING)

注：“\*”□表示关键尺寸(3个).

NO.	PARTS	MATERIALS	Q'TY		TOLERANCE UNLESS SPECIFIED						
8											
7											
6					WITHIN 1.5mm : ±0.1mm	A	2012-8-13	初版			
5	SPRING	SUS	1	NATURAL	OVER 1.5mm : ±0.2mm	ISSUE	DATE	DESCRIPTIONS OF REVISION	APPD.		
4	CAM STICK	SUS	1	NATURAL	TITLE : VERTICAL PUSH SWITCH				UNIT : mm	DRWG NO.:	
3	CASE	PA66/BRASS STRIP	1	GREY/Ag PLATED	MODEL:				SCALE: 5:1	DWN.	2012-8-13
2	COVER	PA66	1	BLACK	东莞市高迪电子有限公司				CHK'D		
1	KNOB	PA66/PBS C5210R-EH	1	WHITE/Ag CLAD					APPD.		2012-8-13